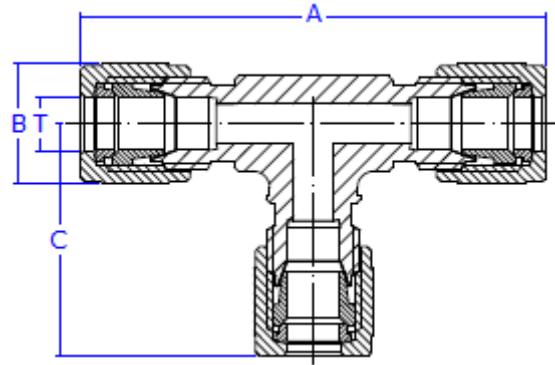
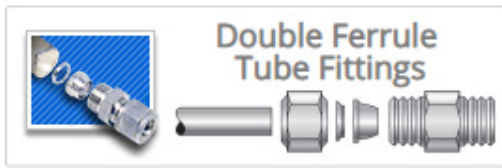


TTT – Union Tee



REDUCING UNION ARE ALSO AVAILABLE

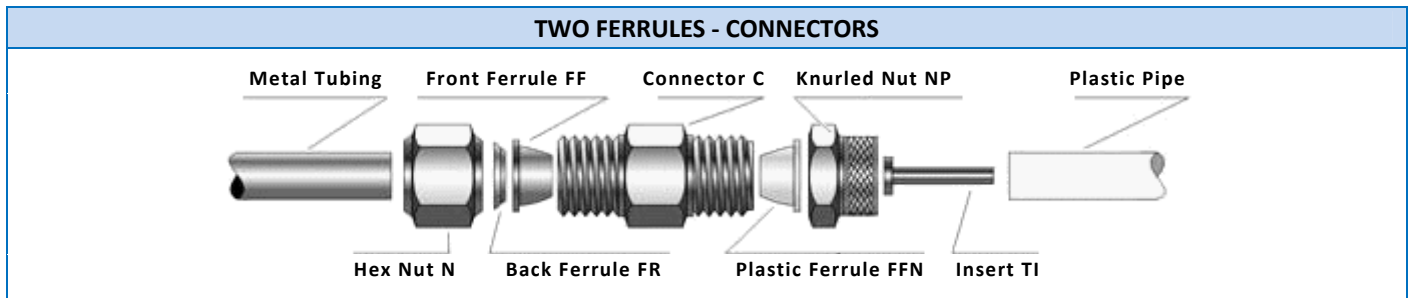
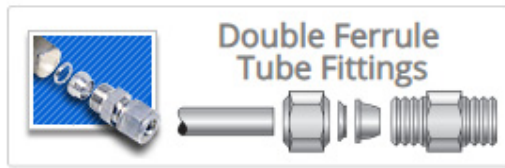
PART NUMBER	TUBE O.D. - T		DIMENSIONS*		
	INCHES	MM	A	B	C
2 TTT 316	1/8"	3,17	56,20	7/16"	28,10
3 TTT 316	3/16"	4,76	55,67	1/2"	27,84
4 TTT 316	1/4"	6,35	55,90	9/16"	27,90
5 TTT 316	5/16"	7,93	58,26	5/8"	29,13
6 TTT 316	3/8"	9,53	58,35	11/16"	29,17
8 TTT 316	1/2"	12,70	70,72	7/8"	35,36
12 TTT 316	3/4"	19,05	87,69	1.1/4"	43,85
16 TTT 316	1"	25,40	108,73	1.1/2"	54,36

PART NUMBER	TUBE O.D. - T		DIMENSÕES		
	INCHES	MM	A	B	C
2 TTT	1/8"	3,17	56,20	7/16"	28,10
3 TTT	3/16"	4,76	57,17	1/2"	29,04
4 TTT	1/4"	6,35	57,41	9/16"	29,16
5 TTT	5/16"	7,93	60,77	5/8"	30,83
6 TTT	3/8"	9,53	63,15	11/16"	32,07
8 TTT	1/2"	12,70	81,93	7/8"	40,96

*Dimensions are for reference only and are subject to change.

OPTIONALS & KEY FEATURES	
SIZE RANGES FROM 1/16" THROUGH 1"	FERRULES OF ARMCO 17-4 PH OR DELRIN
FITTINGS ARE STANDARD IN SS 316, BRASS OR CARBON STEEL	AVAILABLE WITH NPT, BSP OR BSP + O'RING VITON
FOR FRACTIONAL TUBE TO METRIC TUBE (INCHES OR MILLIMETERS)	CAN BE USED WITH A WIDE VARIETY OF TUBING MATERIALS INCLUDING PLASTIC OR GLASS TUBES.

TTT – Union Tee



STANDARDS TUBE FITTINGS / ADAPTER FITTINGS

DIMENSIONS	MALE/EXTERNAL		SAE J 514
	FEMALE/INTERNAL		SAE J 1926
	SW		ASME B 16.11
	JIC 37°		SAE J 514
	NPT THREADS		ASME B 1.20.1
	BSP THREADS		DIN ISO 228
RAW MATERIAL	MATERIALS STANDARDS		ASME B 31.3
	SS 316	BAR STOCK	ASTM A 276
		CF8M	ASTM A 351
	CARBON	BAR STOCK	NBR NM 87 NBR 11294 ASTM A 108
		WCB	ASTM A 216
		BAR STOCK	ASTM B 16
	BRASS	FORGINGS	ASTM B 124 ASTM A 377 ASTM B 283
		ARMCO 17-4 PH - TP 630	
	DELTRIN (POLYACETAL)		ASTM D 4181 ASTM D 792 (ACETALS)
	SILVER-PLATING APPLIED TO THE INTERNAL SURFACE OF THE NUT (SS 316)		TRIUNION'S INTERNAL STANDARD
ZINC-NICKEL PLATTING		ASTM B 841-99	
PRESSURE	TESTING	MSS-SP-25 MSS-SP-83	
	RATINGS	ASME B 31.1 ASME B 31.3	