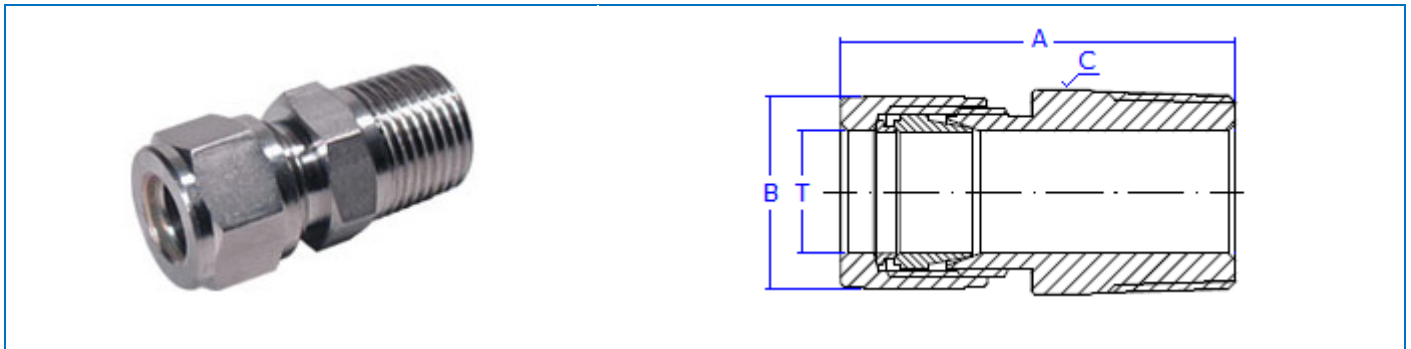
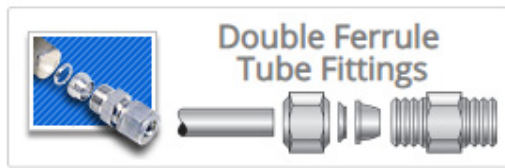
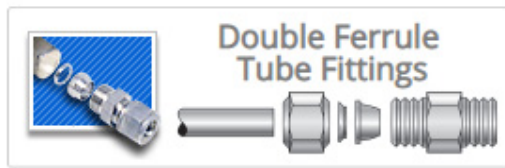


# CMT – Male Thermocouple Connector



PART NUMBER		TUBE O.D. - T		NPT THREADS	DIMENSIONS*		
BRASS	SS 316	INCHES	MM		A	B	C
1 CMT 2	1 CMT 2 316	1/16"	1,58	1/8"	27,10	5/16"	7/16"
1 CMT 4	1 CMT 4 316			1/4"			9/16"
2 CMT 2	2 CMT 2 316	1/8"	3,18	1/8"	32,60	7/16"	7/16"
2 CMT 4	2 CMT 4 316			1/4"			9/16"
2 CMT 6	2 CMT 6 316			3/8"			11/16"
2 CMT 8	2 CMT 8 316			1/2"			7/8"
3 CMT 2	3 CMT 2 316	3/16"	4,76	1/8"	33,90	1/2"	9/16"
3 CMT 4	3 CMT 4 316			1/4"			9/16"
4 CMT 1	4 CMT 1 316	1/4"	6,35	1/16"	32,30	9/16"	1/2"
4 CMT 2	4 CMT 2 316			1/8"			1/2"
4 CMT 4	4 CMT 4 316			1/4"			9/16"
4 CMT 6	4 CMT 6 316			3/8"			11/16"
4 CMT 8	4 CMT 8 316			1/2"			7/8"
4 CMT 12	4 CMT 12 316			3/4"			1.1/16"
5 CMT 2	5 CMT 2 316	5/16"	7,93	1/8"	35,70	5/8"	9/16"
5 CMT 4	5 CMT 4 316			1/4"			9/16"
5 CMT 6	5 CMT 6 316			3/8"			11/16"
5 CMT 8	5 CMT 8 316			1/2"			7/8"
6 CMT 2	6 CMT 2 316	3/8"	9,53	1/8"	34,60	11/16"	5/8"
6 CMT 4	6 CMT 4 316			1/4"			5/8"
6 CMT 6	6 CMT 6 316			3/8"			11/16"
6 CMT 8	6 CMT 8 316			1/2"			7/8"
6 CMT 12	6 CMT 12 316			3/4"			1.1/16"
6 CMT 16	6 CMT 16 316			1"			1.3/8"
8 CMT 2	8 CMT 2 316	1/2"	12,70	1/8"	40,40	7/8"	7/8"
8 CMT 4	8 CMT 4 316			1/4"			7/8"
8 CMT 6	8 CMT 6 316			3/8"			7/8"
8 CMT 8	8 CMT 8 316			1/2"			7/8"
8 CMT 12	8 CMT 12 316			3/4"			1.1/16"
8 CMT 16	8 CMT 16 316			1"			1.3/8"
10 CMT 6	10 CMT 6 316	5/8"	15,87	3/8"	47,50	1"	1"
10 CMT 8	10 CMT 8 316			1/2"			1"

# CMT – Male Thermocouple Connector



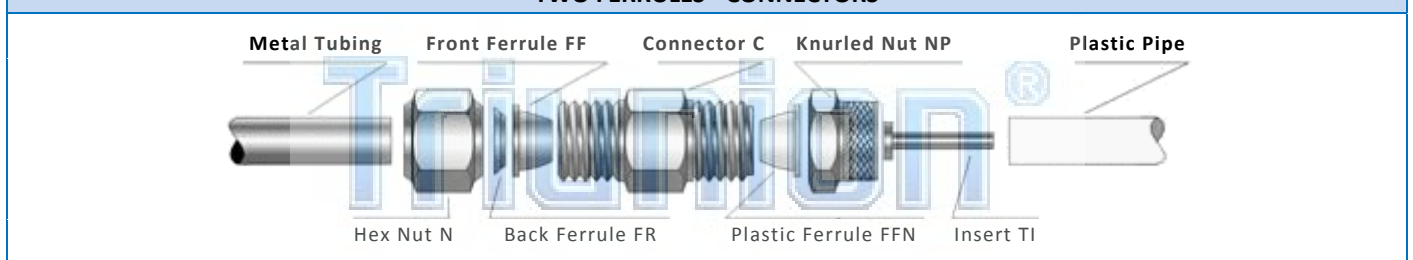
12 CMT 4	12 CMT 4 316	3/4"	19,05	1/4"	49,70	1.1/4"	1.1/4"
12 CMT 6	12 CMT 6 316			3/8"	49,70		1.1/4"
12 CMT 8	12 CMT 8 316			1/2"	53,50		1.1/4"
12 CMT 12	12 CMT 12 316			3/4"	53,50		1.1/4"
12 CMT 16	12 CMT 16 316			1"	58,50		1.3/8"
16 CMT 8	16 CMT 8 316	1"	25,40	1/2"	58,00	1.1/2"	1.3/8"
16 CMT 12	16 CMT 12 316			3/4"	58,00		1.3/8"
16 CMT 16	16 CMT 16 316			1"	59,00		1.3/8"

\* Dimensions are for reference only and are subject to change.

## OPTIONALS & KEY FEATURES

SIZE RANGES FROM 1/16" THROUGH 1"	FERRULES OF ARMCO 17-4 PH OR DELRIN
FITTINGS ARE STANDARD IN SS 316, BRASS OR CARBON STEEL	AVAILABLE WITH NPT, BSP OR BSP + O'RING VITON
FOR FRACTIONAL TUBE TO METRIC TUBE ( INCHES OR MILLIMETERS )	CAN BE USED WITH A WIDE VARIETY OF TUBING MATERIALS INCLUDING PLASTIC OR GLASS TUBES.

## TWO FERRULES - CONNECTORS

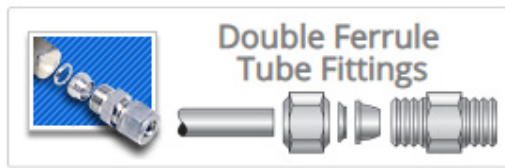


## STANDARDS

### TUBE FITTINGS / ADAPTER FITTINGS

DIMENSIONS	MALE/EXTERNAL	SAE J 514
	FEMALE/INTERNAL	SAE J 1926
	SW	ASME B 16.11
	JIC 37°	SAE J 514
	NPT THREADS	ASME B 1.20.1
	BSP THREADS	DIN ISO 228

# CMT – Male Thermocouple Connector



RAW MATERIAL	MATERIALS STANDARDS		ASME B 31.3
	SS 316	BAR STOCK	ASTM A 276
		CF8M	ASTM A 351
	CARBON	BAR STOCK	NBR NM 87 NBR 11294 ASTM A 108
		WCB	ASTM A 216
	BRASS	BAR STOCK	ASTM B 16
		FORGINGS	ASTM B 124 ASTM A 377 ASTM B 283
	ARMCO 17-4 PH - TP 630		ASTM A 564
DELTRIN (POLYACETAL)		ASTM D 4181 ASTM D 792 (ACETALS)	
PROCESS	SILVER-PLATING APPLIED TO THE INTERNAL SURFACE OF THE NUT ( SS 316 )		TRIUNION'S INTERNAL STANDARD
	ZINC-NICKEL PLATTING		ASTM B 841-99
PRESSURE	TESTING	MSS-SP-25 MSS-SP-83	
	RATINGS	ASME B 31.1 ASME B 31.3	