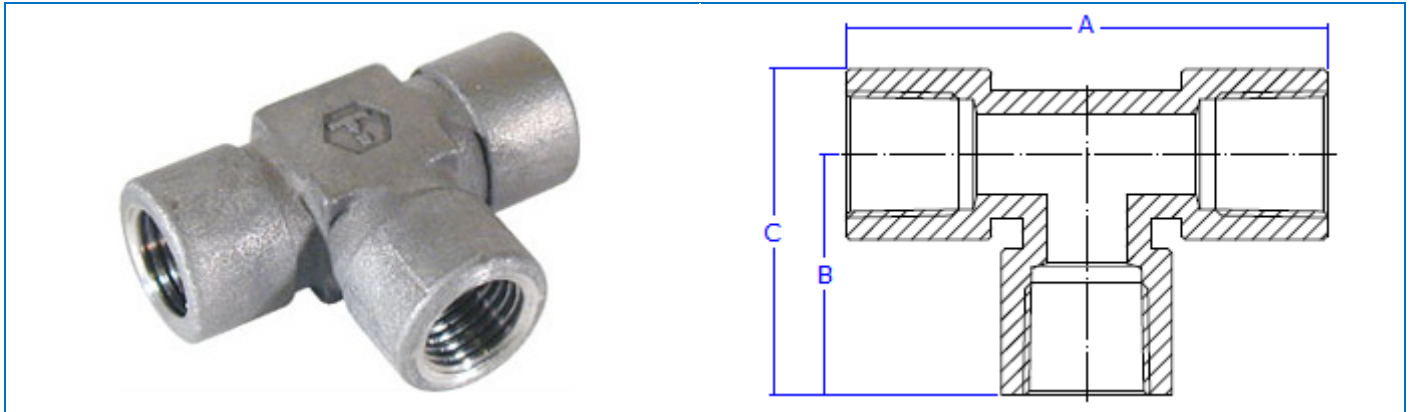
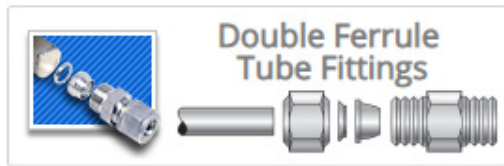


TFFF – Tee Female



PART NUMBER	NPT THREATS	DIMENSIONS*		
SS 316		A	B	C
2 TFFF 316	1/8"	46,50	23,25	30,85
4 TFFF 316	1/4"	48,00	24,00	33,75
6 TFFF 316	3/8"	63,50	31,75	43,00
8 TFFF 316	1/2"	58,00	29,00	42,50
12 TFFF 316	3/4"	81,20	40,60	57,70
16 TFFF 316	1"	87,20	43,60	63,15

PART NUMBER	NPT THREATS	DIMENSIONS*		
BRASS		A	B	C
2 TFFF	1/8"	46,50	23,25	30,25
4 TFFF	1/4"	54,00	27,00	36,50
6 TFFF	3/8"	68,00	34,50	45,50

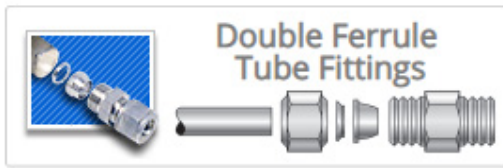
*Dimensions are for reference only and are subject to change.

OPTIONALS & KEY FEATURES	
SIZE RANGES FROM 1/16" THROUGH 1"	FERRULES OF ARMCO 17-4 PH OR DELRIN
FITTINGS ARE STANDARD IN SS 316, BRASS OR CARBON STEEL	AVAILABLE WITH NPT, BSP OR BSP + O'RING VITON
FOR FRACTIONAL TUBE TO METRIC TUBE (INCHES OR MILLIMETERS)	CAN BE USED WITH A WIDE VARIETY OF TUBING MATERIALS INCLUDING PLASTIC OR GLASS TUBES.

STANDARDS TUBE FITTINGS / ADAPTER FITTINGS

DIMENSIONS		
	MALE/EXTERNAL	SAE J 514
	FEMALE/INTERNAL	SAE J 1926
	SW	ASME B 16.11
	JIC 37 ^º	SAE J 514
	NPT THREADS	ASME B 1.20.1
	BSP THREADS	DIN ISO 228

TFFF – Tee Female



RAW MATERIAL	MATERIALS STANDARDS		ASME B 31.3
	SS 316	BAR STOCK	ASTM A 276
		CF8M	ASTM A 351
	CARBON	BAR STOCK	NBR NM 87 NBR 11294 ASTM A 108
		WCB	ASTM A 216
	BRASS	BAR STOCK	ASTM B 16
		FORGINGS	ASTM B 124 ASTM A 377 ASTM B 283
	ARMCO 17-4 PH - TP 630		ASTM A 564
DELTRIN (POLYACETAL)		ASTM D 4181 ASTM D 792 (ACETALS)	
PROCESS	SILVER-PLATING APPLIED TO THE INTERNAL SURFACE OF THE NUT (SS 316)		TRIUNION'S INTERNAL STANDARD
	ZINC-NICKEL PLATTING		ASTM B 841-99
PRESSURE	TESTING	MSS-SP-25 MSS-SP-83	
	RATINGS	ASME B 31.1 ASME B 31.3	