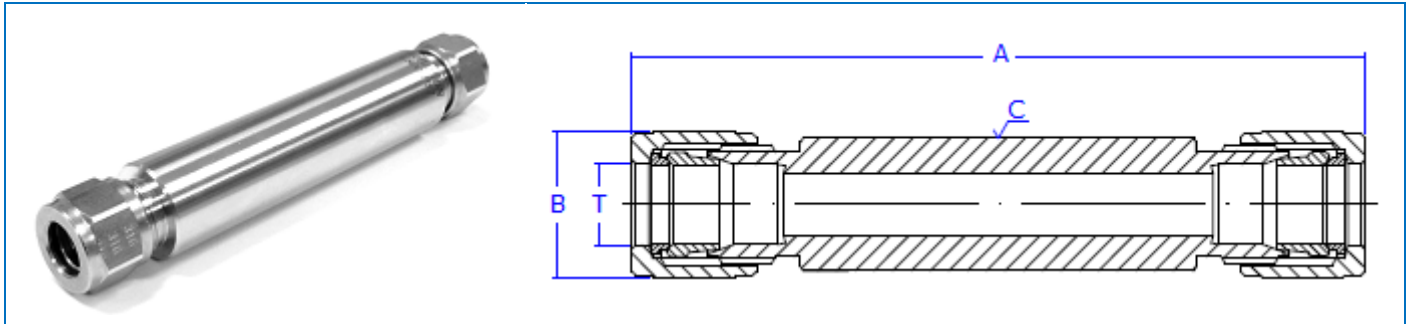
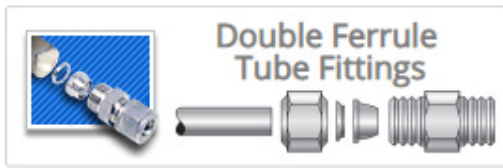




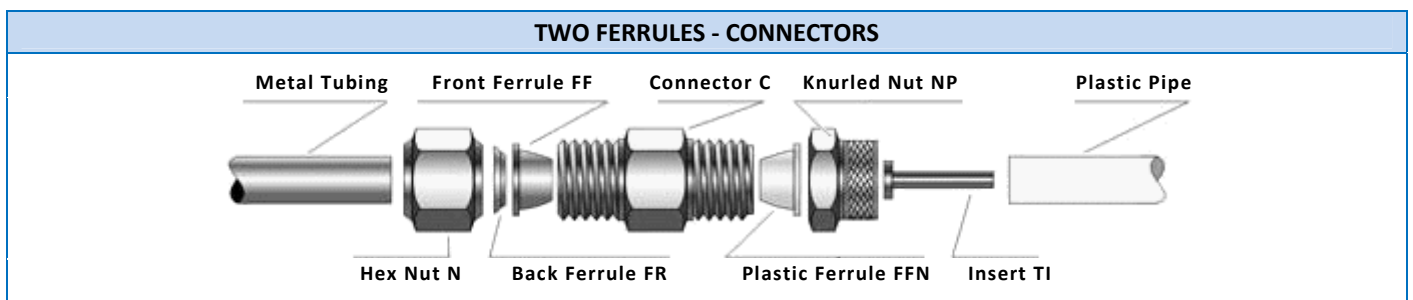
# UDS – Weld Bulkhead Fitting



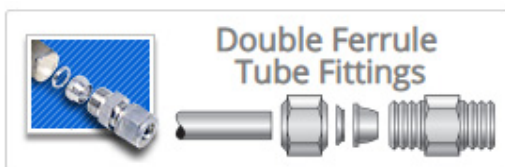
PART NUMBER		TUBE O.D. - T		DIMENSIONS*		
CARBON	SS 316	INCHES	MM	A	B	C
2 UDS S	2 UDS 316	1/8"	3,17	66,00	7/16"	1/2"
3 UDS S	3 UDS 316	3/16"	4,76	69,00	1/2"	1/2"
4 UDS S	4 U DS 316	1/4"	6,35	78,00	9/16"	5/8"
5 UDS S	5 UDS 316	5/16"	7,93	82,00	5/8"	3/4"
6 UDS S	6 UDS 316	3/8"	9,53	88,00	11/16"	3/4"
8 UDS S	8 UDS 316	1/2"	12,70	92,00	7/8"	7/8"
12 UDS S	12 UDS 316	3/4"	19,05	112,00	1.1/4"	1.1/4"
16 UDS S	16 UDS 316	1"	25,40	130,00	1.1/2"	1.3/8"

\* Dimensions are for reference only and are subject to change.

OPTIONALS & KEY FEATURES	
SIZE RANGES FROM 1/16" THROUGH 1"	FERRULES OF ARMCO 17-4 PH OR DELRIN
FITTINGS ARE STANDARD IN SS 316, BRASS OR CARBON STEEL	AVAILABLE WITH NPT, BSP OR BSP + O'RING VITON
FOR FRACTIONAL TUBE TO METRIC TUBE ( INCHES OR MILLIMETERS )	CAN BE USED WITH A WIDE VARIETY OF TUBING MATERIALS INCLUDING PLASTIC OR GLASS TUBES.



# UDS – Weld Bulkhead Fitting



## STANDARDS TUBE FITTINGS / ADAPTER FITTINGS

DIMENSIONS	MALE/EXTERNAL		SAE J 514
	FEMALE/INTERNAL		SAE J 1926
	SW		ASME B 16.11
	JIC 37º		SAE J 514
	NPT THREADS		ASME B 1.20.1
	BSP THREADS		DIN ISO 228
RAW MATERIAL	MATERIALS STANDARDS		ASME B 31.3
	SS 316	BAR STOCK	ASTM A 276
		CF8M	ASTM A 351
	CARBON	BAR STOCK	NBR NM 87 NBR 11294 ASTM A 108
		WCB	ASTM A 216
	BRASS	BAR STOCK	ASTM B 16
		FORGINGS	ASTM B 124
			ASTM A 377 ASTM B 283
ARMCO 17-4 PH - TP 630		ASTM A 564	
DELTRIN (POLYACETAL)		ASTM D 4181 ASTM D 792 (ACETALS)	
PROCESS	SILVER-PLATING APPLIED TO THE INTERNAL SURFACE OF THE NUT ( SS 316 )		TRIUNION'S INTERNAL STANDARD
	ZINC-NICKEL PLATTING		ASTM B 841-99
PRESSURE	TESTING		MSS-SP-25 MSS-SP-83
	RATINGS		ASME B 31.1 ASME B 31.3