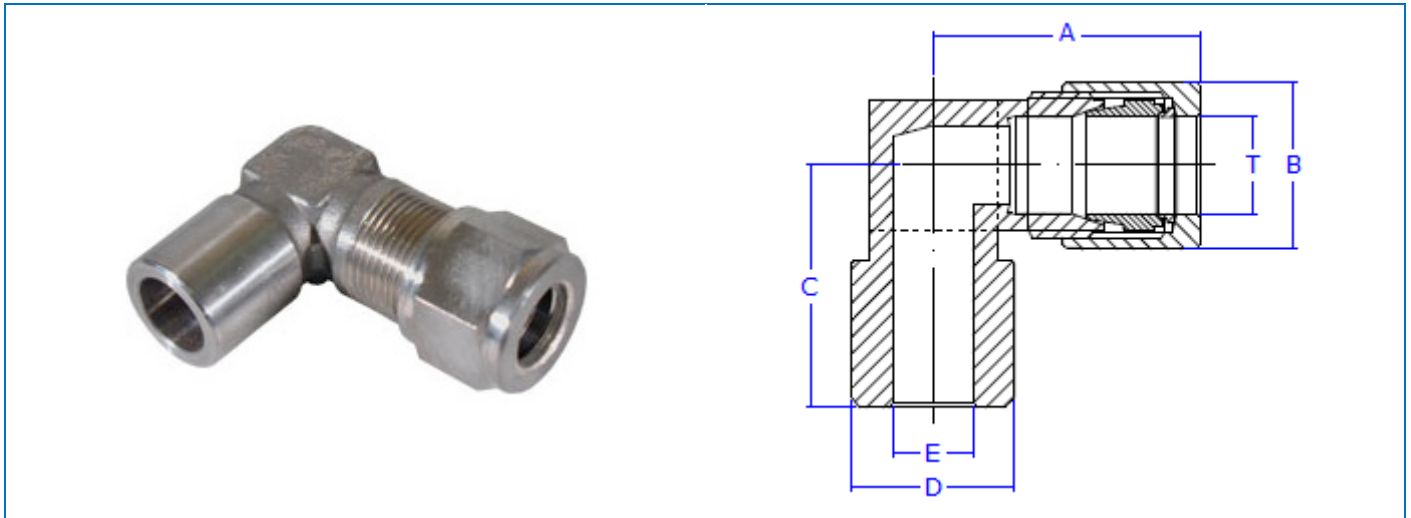
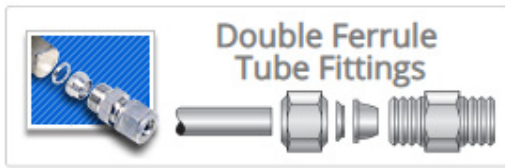




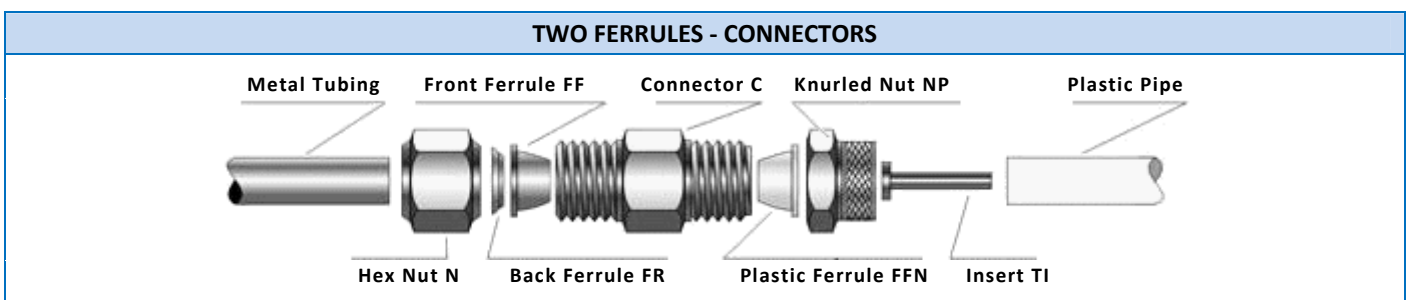
LBW – Butt Weld Elbow



PART NUMBER	TUBE O.D. - T		DIMENSIONS*				
	INCHES	MM	A	B	C	D (BW)	E
SS 316 8 LBW 8 316	1/2"	12,70	35,36	22,00	32,00	21,34	10,50

*Dimensions are for reference only and are subject to change.

OPTIONALS & KEY FEATURES	
SIZE RANGES FROM 1/16" THROUGH 1"	FERRULES OF ARMCO 17-4 PH OR DELRIN
FITTINGS ARE STANDARD IN SS 316, BRASS OR CARBON STEEL	AVAILABLE WITH NPT, BSP OR BSP + O'RING VITON
FOR FRACTIONAL TUBE TO METRIC TUBE (INCHES OR MILLIMETERS)	CAN BE USED WITH A WIDE VARIETY OF TUBING MATERIALS INCLUDING PLASTIC OR GLASS TUBES.



LBW – Butt Weld Elbow



STANDARDS

TUBE FITTINGS / ADAPTER FITTINGS

DIMENSIONS	MALE/EXTERNAL		SAE J 514
	FEMALE/INTERNAL		SAE J 1926
	SW / BW		ASME B 16.11 / ASME B 16.9
	JIC 37°		SAE J 514
	NPT THREADS		ASME B 1.20.1
	BSP THREADS		DIN ISO 228
RAW MATERIAL	MATERIALS STANDARDS		ASME B 31.3
	SS 316	BAR STOCK	ASTM A 276
		CF8M	ASTM A 351
	CARBON	BAR STOCK	NBR NM 87 NBR 11294 ASTM A 108
		WCB	ASTM A 216
		BAR STOCK	ASTM B 16
	BRASS	FORGINGS	ASTM B 124 ASTM A 377 ASTM B 283
		ARMCO 17-4 PH - TP 630	ASTM A 564
DELTRIN (POLYACETAL)		ASTM D 4181 ASTM D 792 (ACETALS)	
PROCESS	SILVER-PLATING APPLIED TO THE INTER-NAL SURFACE OF THE NUT (SS 316)		TRIUNION'S INTERNAL STANDARD
	ZINC-NICKEL PLATTING		ASTM B 841-99
PRESSURE	TESTING	MSS-SP-25 MSS-SP-83	
	RATINGS	ASME B 31.1 ASME B 31.3	